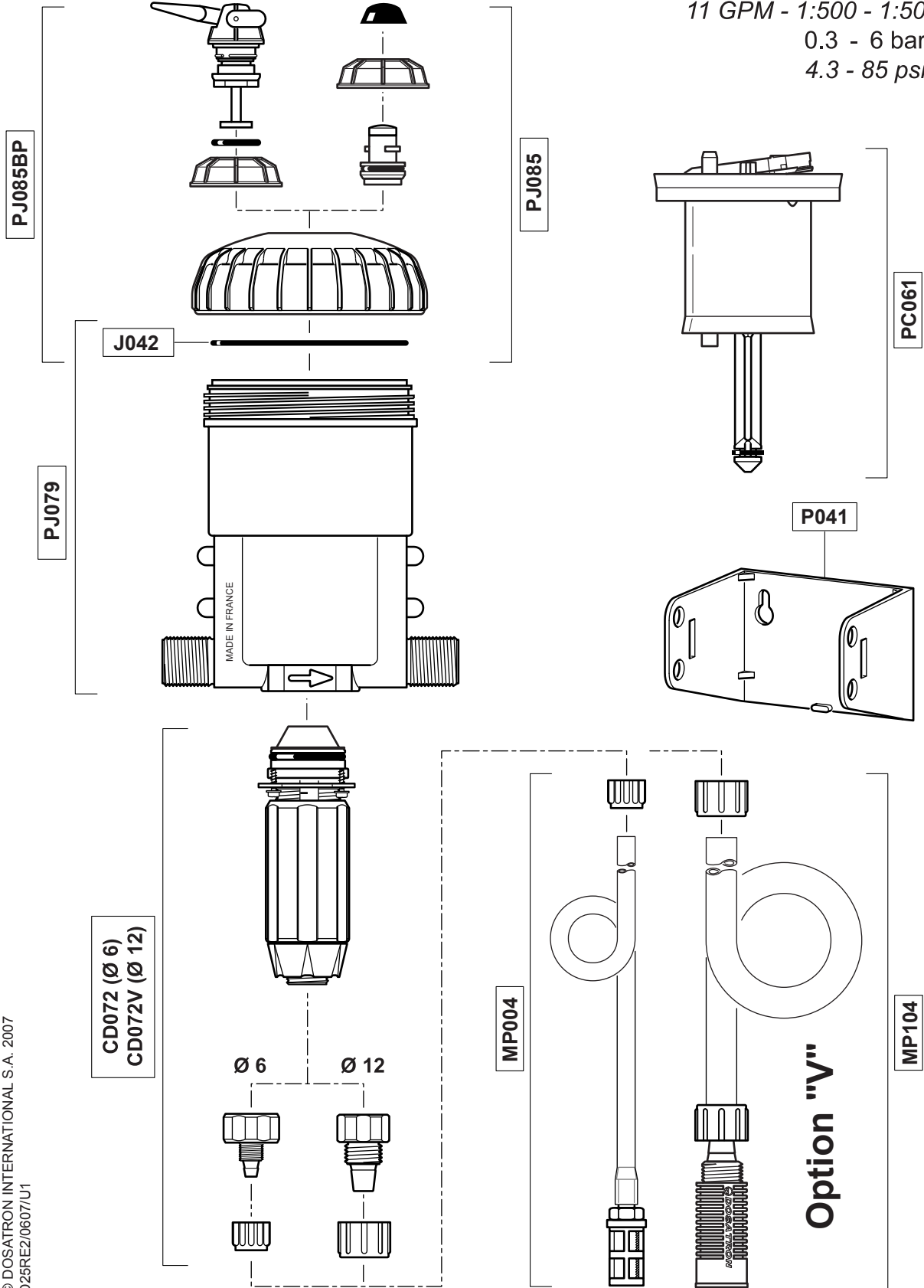




HOFRA GmbH
 Kraußenklinge 1
 97996 Niederstetten
 Mobil: 0178 / 29 20 812
 Tel. 07932 / 92 10 12
 Fax: 07932 / 92 10 17

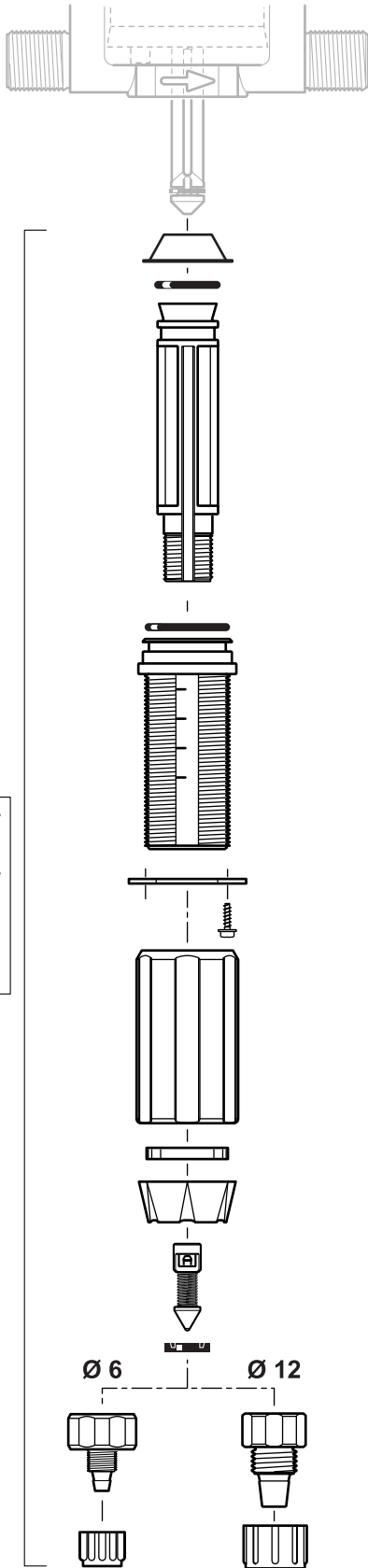
D25RE2

2.5 m³/h - 0.2 - 2%
 11 GPM - 1:500 - 1:50
 0.3 - 6 bar
 4.3 - 85 psi

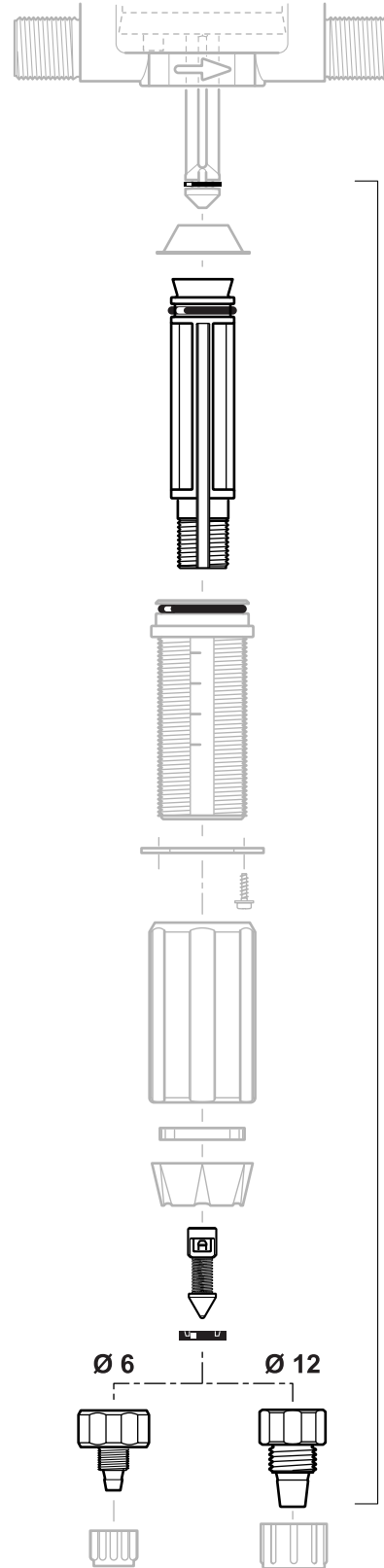


D25RE2

2.5 m³/h - 0.2 - 2%
11 GPM - 1:500 - 1:50
0.3 - 6 bar
4.3 - 85 psi



CD072 (Ø 6)
CD072V (Ø 12)



PJ093 (Ø 6)
PJ093V (Ø 12)