



DOSATRON®

WATER POWERED DOSING TECHNOLOGY

SCHEMATICS

Dosatron Liquid Dispenser **Model # D45RE8IE – 20 GPM**

1:33 – 1:13

7 – 70 PSI

1" NPT Connection

Suggested Installation:

200 mesh/80 micron water filter prior to unit

One-way check valve downstream from unit for water hammer protection

Suggested Maintenance Interval:

Replace injection seals every 12 months

DOSATRON SALES & SERVICE - NORTH & CENTRAL AMERICA

Dosatron International, Inc.

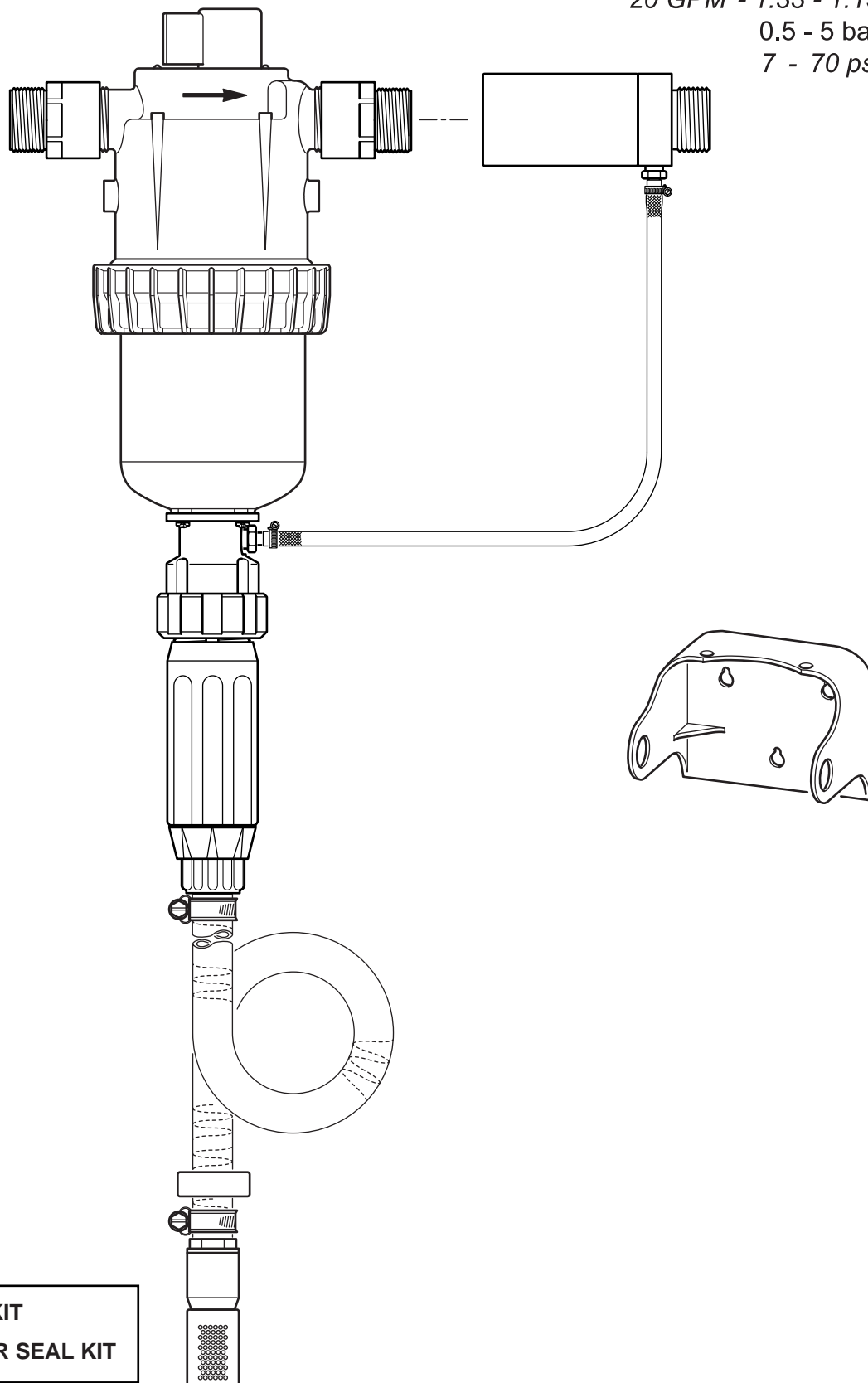
Phone: 727-443-5404 Service: (800) 523-8499

Fax: 727-447-0591

www.dosatronUSA.com

D45RE8-IE

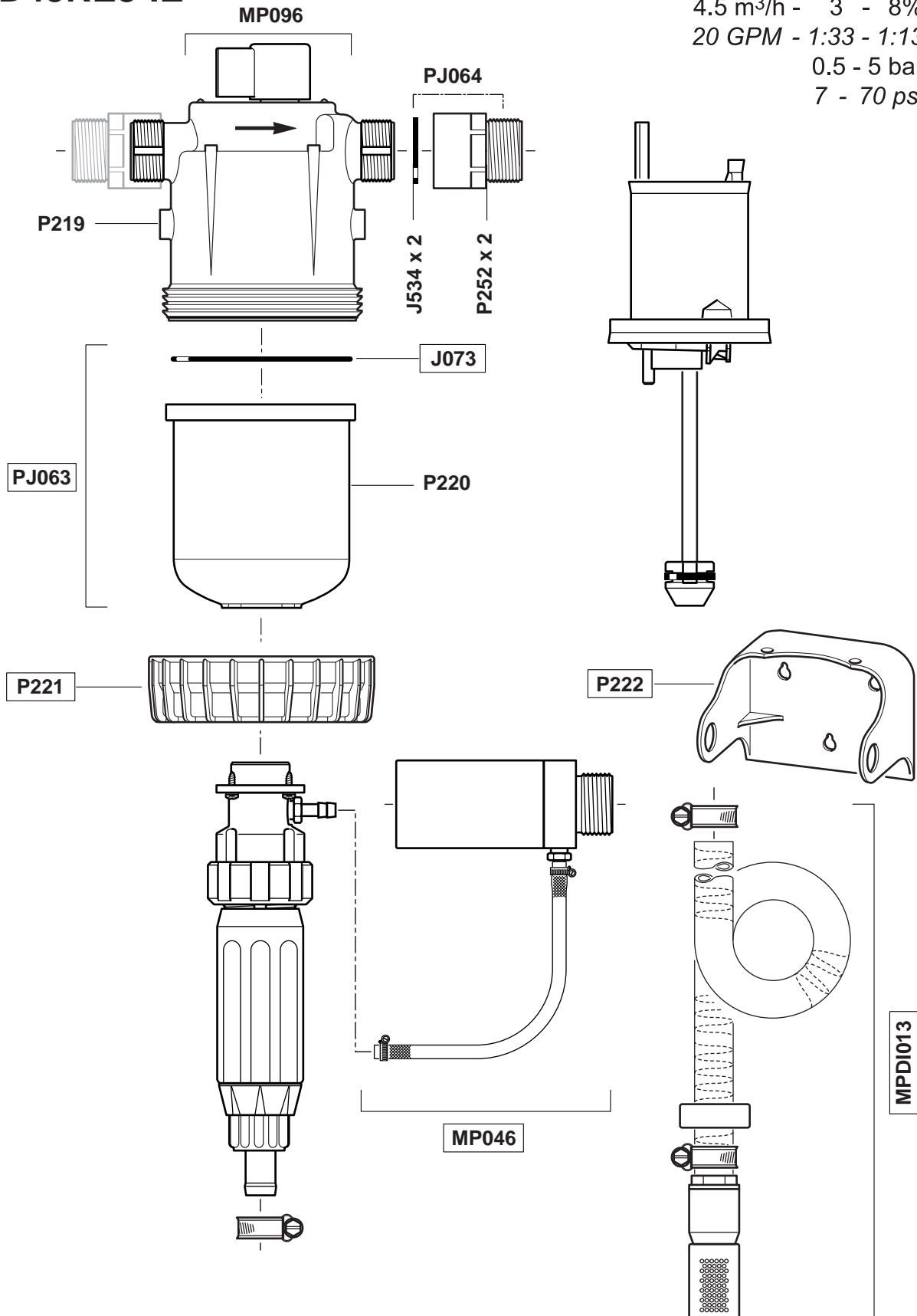
4.5 m³/h - 3 - 8%
20 GPM - 1:33 - 1:13
0.5 - 5 bar
7 - 70 psi



PJ100- SEAL KIT
EM003- MOTOR SEAL KIT

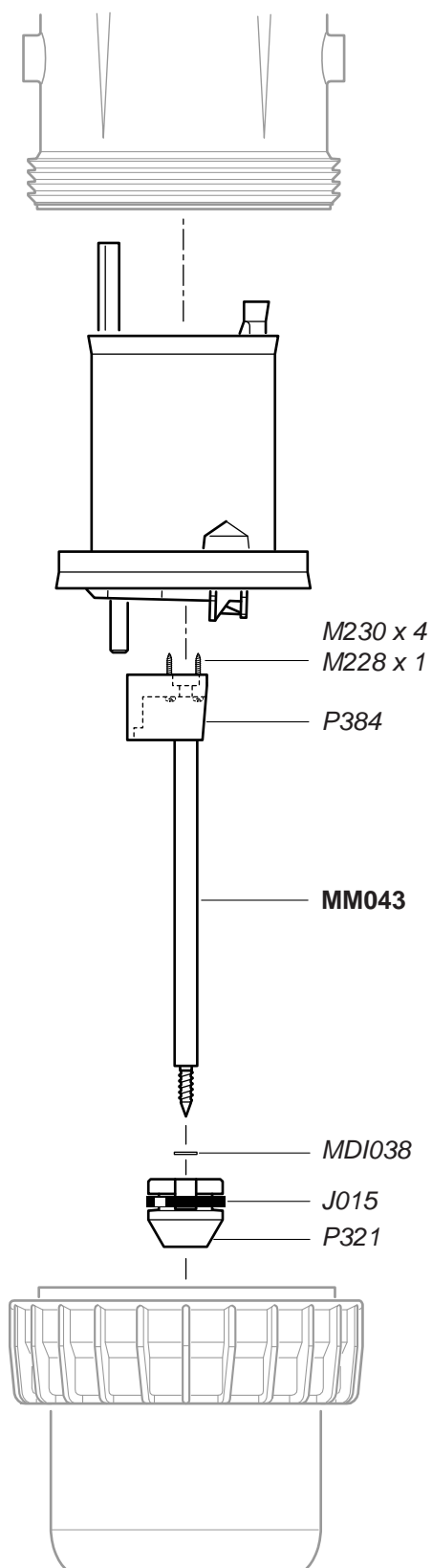
D45RE8-IE

4.5 m³/h - 3 - 8%
 20 GPM - 1:33 - 1:13
 0.5 - 5 bar
 7 - 70 psi



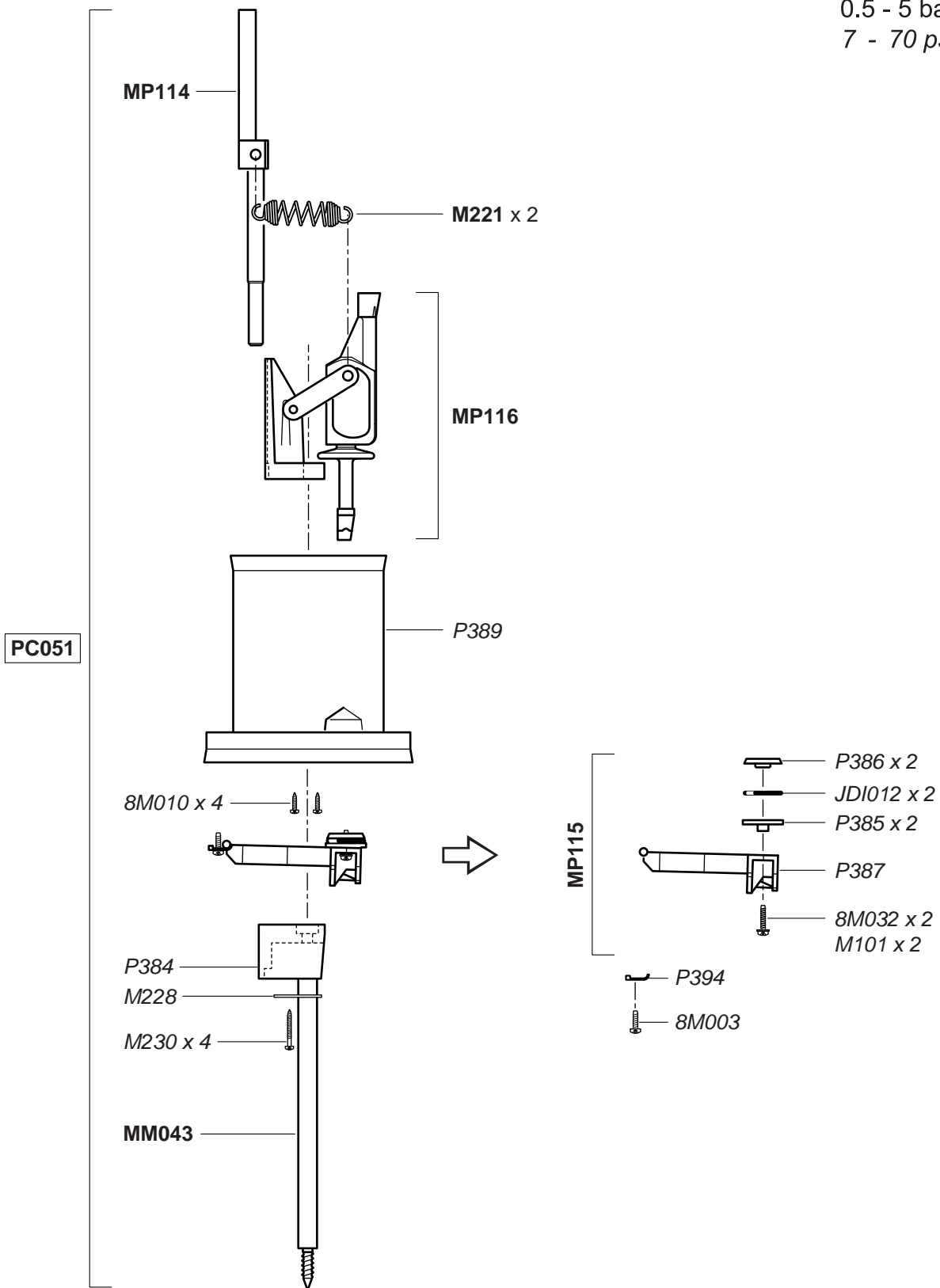
D45RE8-IE

4.5 m³/h - 3 - 8%
20 GPM - 1:33 - 1:13
0.5 - 5 bar
7 - 70 psi

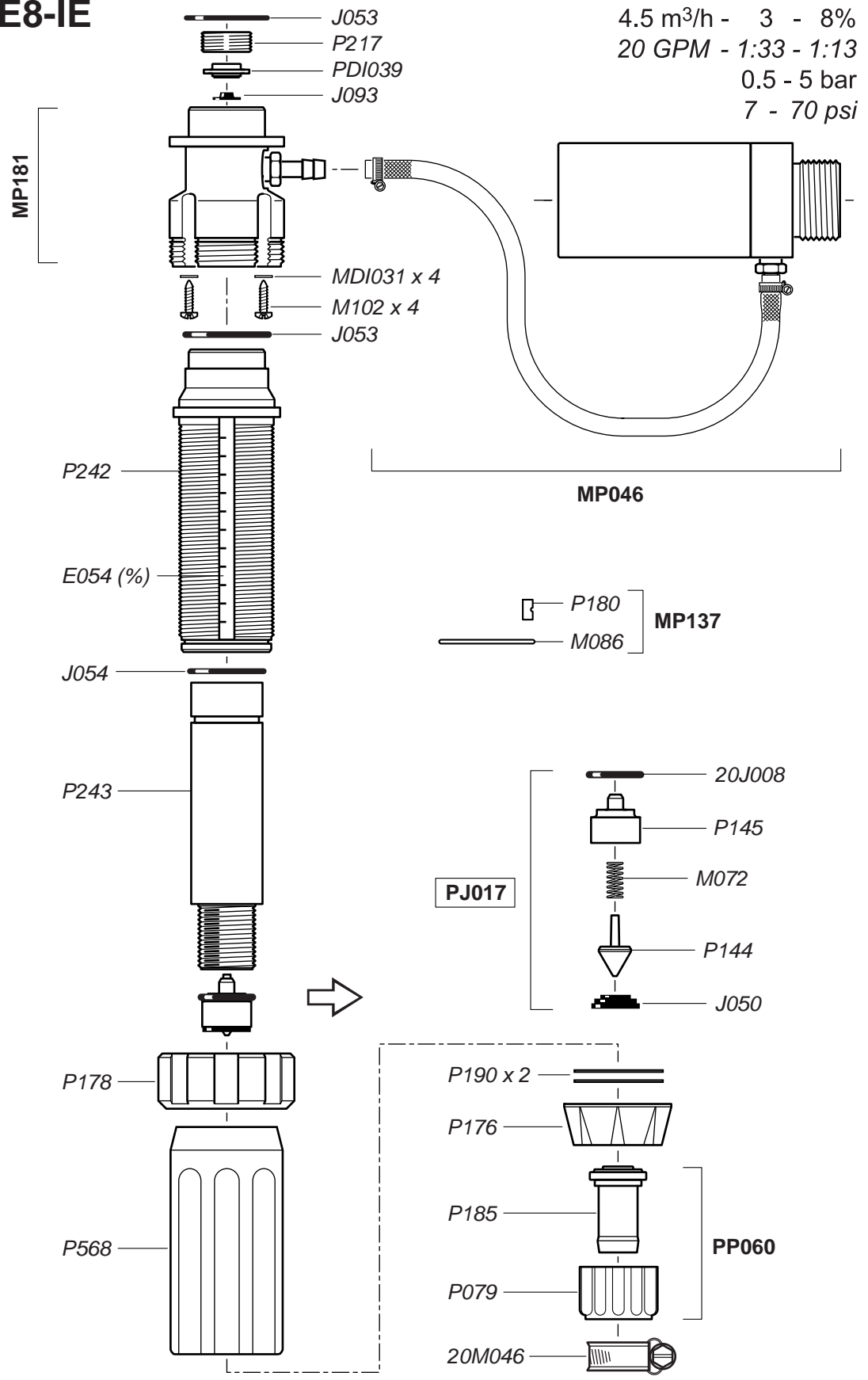


D45RE8-IE

4.5 m³/h - 3 - 8%
 20 GPM - 1:33 - 1:13
 0.5 - 5 bar
 7 - 70 psi

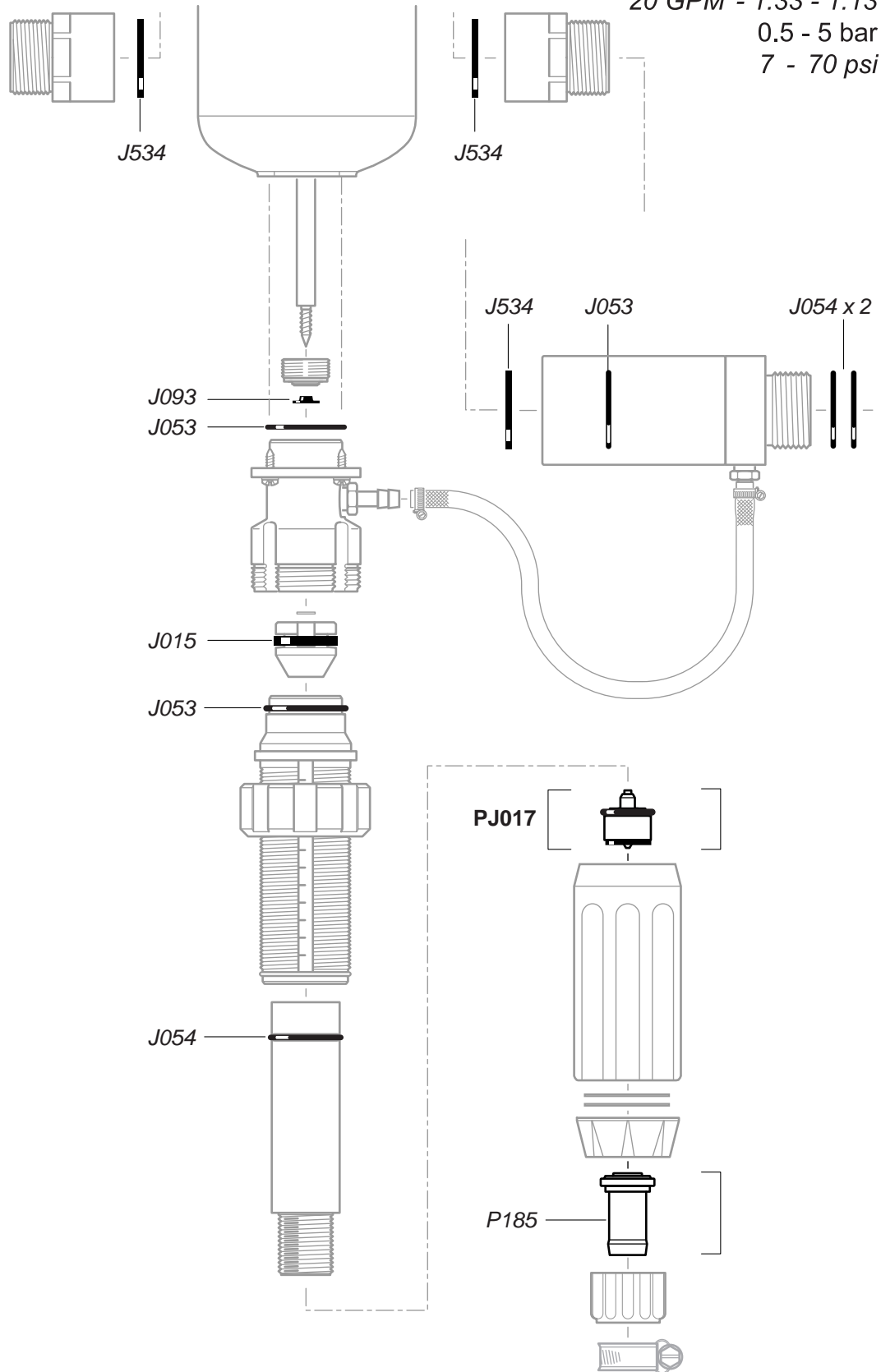


D45RE8-IE



D45RE8-IE

4.5 m³/h - 3 - 8%
20 GPM - 1:33 - 1:13
0.5 - 5 bar
7 - 70 psi



D45RE8-IE

4.5 m³/h - 3 - 8%
20 GPM - 1:33 - 1:13
0.5 - 5 bar
7 - 70 psi

